

Hygienic Filter / Strainers

Application

Bradford™ filter/strainers can be used in a variety of industries including food, dairy, beverage, pharmaceutical, meat, poultry and cosmetics. The units specially designed dual taper allows for improved flow rates and better drainage, eliminating pooling.

Working Principle

Bradford™ filter/strainers are designed to remove particles from liquid or gas efficiently. Using a disposable medium of cloth type material or stainless mesh allowing filtering/straining of fine to coarse particles.

All units are equipped with a Bradford™ patented squeeze clamp making assembly and disassembly easier.



Bradford™ quality: maintaining the standard

The Hygienic Standards were originally created by the dairy industry as a voluntary benchmark for hygienic safety. The standards are still developed collaboratively by a group of processors, suppliers, and sanitation specialists.

Dixon Hygienic has earned the 3A symbol through the Third Party Verification (TPV) program, which requires a professional assessment rather than voluntary compliance to make certain each product conforms in all respects to the published standard. The standards are accepted by the USDA and USFDA.

Bradford™ filter/strainers meet 3A Hygienic Standards for Filters Using Single Service Media Number 10-04 (Authorisation number 1446). See the Dixon Hygienic website, www.bradfordfittings.com, to download a PDF of the certificate or call Dixon Hygienic.

Dixon Hygienic is proud to be a participant in the 3A TPV program.

What Are Filter / Strainers Used For?

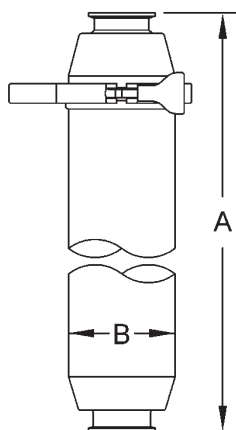
Filter Definition

A filter uses a porous disposable material through which a liquid or gas is passed in order to separate the fluid from suspended particulate matter.

Strainer Definition

A strainer is similar to a filter, but is designed to remove larger particulate matter of these same liquids or gas.

Technical Data, Specifications and Dimensions



SIZE	SHORT UNIT PART NUMBER	DIMENSIONS (mm)	
		A	B
1"	BSCCQ1-R100	400.05	101.60
1½"	BSCCQ1-R150	400.05	101.60
2"	BSCCQ1-R200	400.05	101.60
2½"	BSCCS1-R250	400.05	114.30
3"	BSCCS1-R300	400.05	114.30

SIZE	LONG UNIT PART NUMBER	DIMENSIONS (mm)	
		A	B
1½"	BSCCQ2-R150	907.80	101.60
2"	BSCCQ2-R200	907.80	101.60
3"	BSCCQ2-R300	907.80	101.60

Note: all dimensions are in inches. Dimensions are approximate. Engineering dimensions are available upon request. Specifications are subject to change without notice.



Full Flow Filters -

Can be equipped with a variety of filtering media, down to 40 microns, media includes polyester, cotton cheesecloth and nylon mesh. See chart on following page.



Full Flow Coarse Strainers -

Complete with a backup tube .25" perforation.



Full Flow Fine/Medium Strainers -

Can be equipped with a variety of mesh screens for removing finer particles (20 to 1130 mesh). See chart on following page.

All units come standard with the following: outlet, inlet, spring, cap, clamp gasket, back-up tube and squeeze clamp.

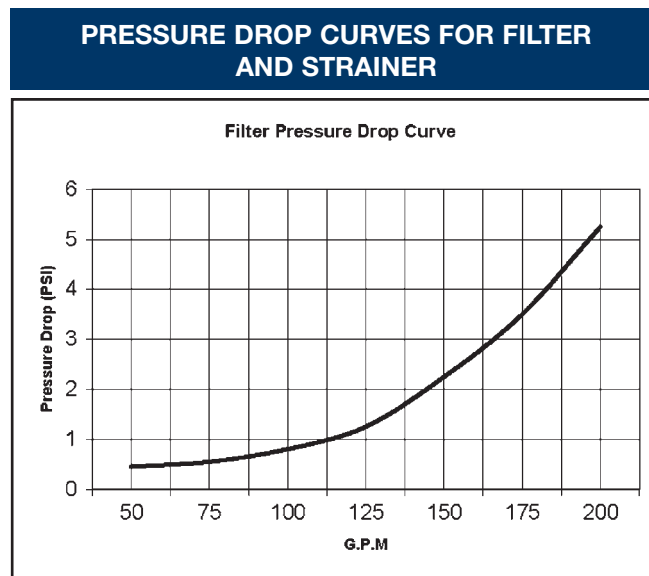
Filter / Strainer

REPLACEMENT FILTERS				
SHORT UNIT PART NO.	LONG UNIT PART NO.	SIZE	MICRON RATING	DESCRIPTION
BF30A-100-200	BF302A-100-200	1" - 2"	38	nonwoven rayon (glued seam)
BF30A-250-300	BF302A-250-300	2½" - 3"	38	nonwoven rayon (glued seam)
BF30B-100-200	BF302B-100-200	1" - 2"	513	woven knapped cotton flannel
BF30B-250-300	BF302B-250-300	2½" - 3"	513	woven knapped cotton flannel
BF30C-100-200	BF302C-100-200	1" - 2"	300	cheese cloth, single thickness cotton
BF30C-250-300	BF302C-250-300	2½" - 3"	300	cheese cloth, single thickness cotton
BF30D-100-200	BF302D-100-200	1" - 2"	765	nylon, 26/29 mesh, rectangular opening, (.025" x .030")
BF30D-250-300	BF302D-250-300	2½" - 3"	765	nylon, 26/29 mesh, rectangular opening, (.025" x .030")
BF30E-100-200	BF302E-100-200	1" - 2"	40-42	nonwoven rayon
BF30E-250-300	BF302E-250-300	2½" - 3"	40-42	nonwoven rayon
BF30F-100-200	BF302F-100-200	1" - 2"	<40	nonwoven rayon
BF30F-250-300	BF302F-250-300	2½" - 3"	<40	nonwoven rayon
BF30G-100-200	BF302G-100-200	1" - 2"	420	woven nylon, 40 mesh
BF30G-250-300	BF302G-250-300	2½" - 3"	420	woven nylon, 40 mesh

Note: Filter medium are special order and minimum quantities apply. Not included with base unit.

WIRE CLOTH MESH OVER SCREENS						
SCREEN PART NO. SHORT UNIT	SCREEN PART NO. LONG UNIT	SIZE	SPACE BETWEEN WIRES (inches)	SQUARE MESH	MICRON RATING	PERCENT OF OPEN AREA
BS20-100-200	BS202-100-200	1" - 2"	0.034	20	864	46.2
BS20-250-300	BS202-250-300	2½" - 3"	0.034	20	864	46.2
BS40-100-200	BS402-100-200	1" - 2"	0.015	40	381	36.0
BS40-250-300	BS402-250-300	2½" - 3"	0.015	40	381	36.0
BS60-100-200	BS602-100-200	1" - 2"	0.009	60	229	30.3
BS60-250-300	BS602-250-300	2½" - 3"	0.009	60	229	30.3
BS80-100-200	BS802-100-200	1" - 2"	0.007	80	178	31.4
BS80-250-300	BS802-250-300	2½" - 3"	0.007	80	178	31.4
BS100-100-200	BS1002-100-200	1" - 2"	0.006	100	140	30.3
BS100-250-300	BS1002-250-300	2½" - 3"	0.006	100	140	30.3

Note: Not all sizes are stocked additional sizes may be available, call the factory. Not included with base unit.

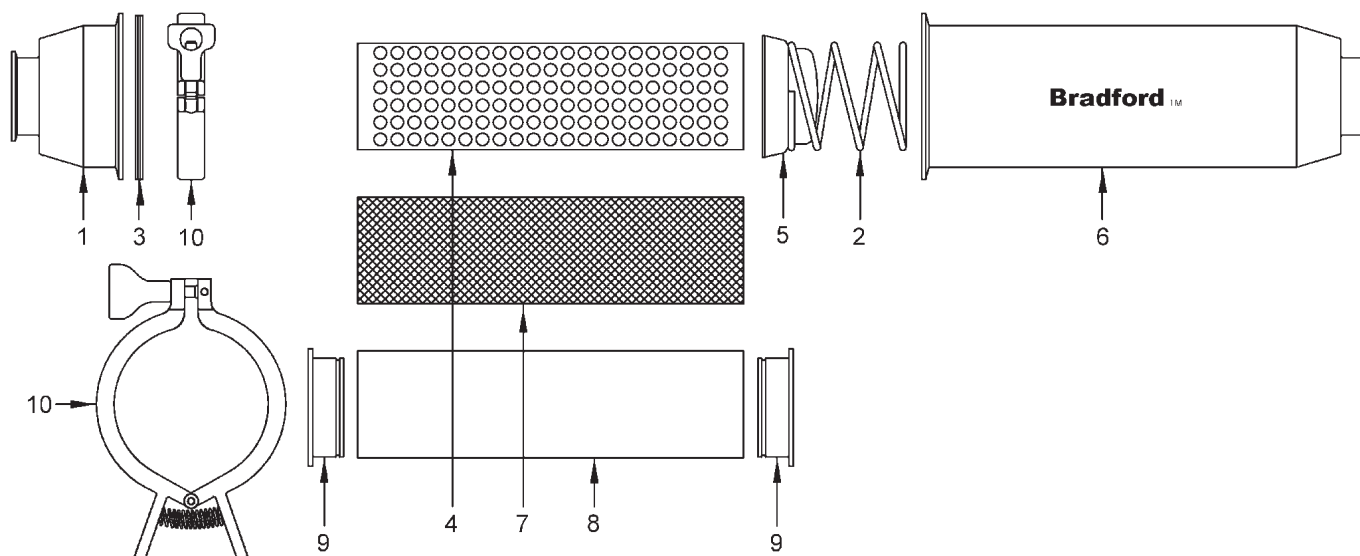


Water at ambient temperature

Hygienic Filter / Strainers

Filter / Strainer

Material List



ITEM #	PART NO.	DESCRIPTION	MATERIAL	QUANTITY
1	BS-01-R100	1" strainer outlet (short)	316L stainless	1
1	BS-01-R150	1½" strainer outlet (short/long)	316L stainless	1
1	BS-01-R200	2" strainer outlet (short/long)	316L stainless	1
1	BS-01-R250	2½" strainer outlet (short)	316L stainless	1
1	BS-01-R300	3" strainer outlet (short/long)	316L stainless	1
2	BS-02-R100-200	1"-2" strainer spring (short/long)	316L stainless	1
2	BS-02-R250-300	2½"-3" strainer spring (short/long)	316L stainless	1
3	40MP-U400	4" clamp gasket (short/long)	Buna	1
3	40MPV-U400	4" schedule V clamp gasket (short/long)	Buna	1
4	BS-14-R100-200	1"-2" strainer back-up tube (short)	316L stainless	1
4	BS-14-R250-300	2½"-3" strainer back-up tube (short)	316L stainless	1
4	BS-24-R100-200	1"-2" strainer back-up tube (long)	316L stainless	1
4	BS-24-R250-300	2½"-3" strainer back-up tube (long)	316L stainless	1
5	BS-05-R100-200	1"-2" strainer cap (short/long)	316L stainless	1
5	BS-05-R250-300	2½"-3" strainer cap (short/long)	316L stainless	1
6	BS-16-R100	1" strainer inlet (short)	316L stainless	1
6	BS-16-R150	1½" strainer inlet (short)	316L stainless	1
6	BS-16-R200	2" strainer inlet (short)	316L stainless	1
6	BS-16-R250	2½" strainer inlet (short)	316L stainless	1
6	BS-16-R300	3" strainer inlet (short)	316L stainless	1
6	BS-26-R150	1½" strainer inlet (long)	316L stainless	1
6	BS-26-R200	2" strainer inlet (long)	316L stainless	1
6	BS-26-R300	3" strainer Inlet (long)	316L stainless	1
7	Part # on page X	1"-3" mesh over screen (short/long)	316L stainless	1
8	Part # on page X	1"-3" filter bag (short/long)	various	1
9	BS-09-U100-200	1"-2" retaining ring (short/long)	Buna	2
9	BS-09-U250-300	2½"-3" retaining ring (short/long)	Buna	2
10	13MHHM-Q400	4" squeeze clamp (short/long) 1"-2"	CF8	1
10	13MHHV-Q400	4" schedule V squeeze clamp (short/long) 2½"-3"	CF8	1

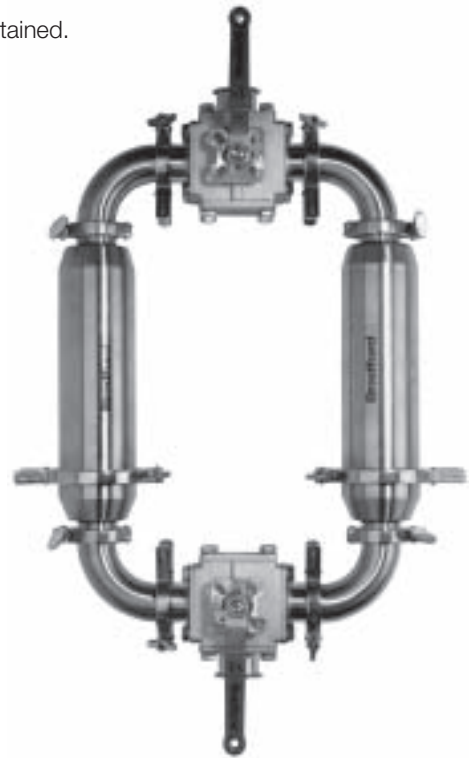
Note: Items 7, 8, and 9 are not included in the base filter / strainer

Filter / Strainer

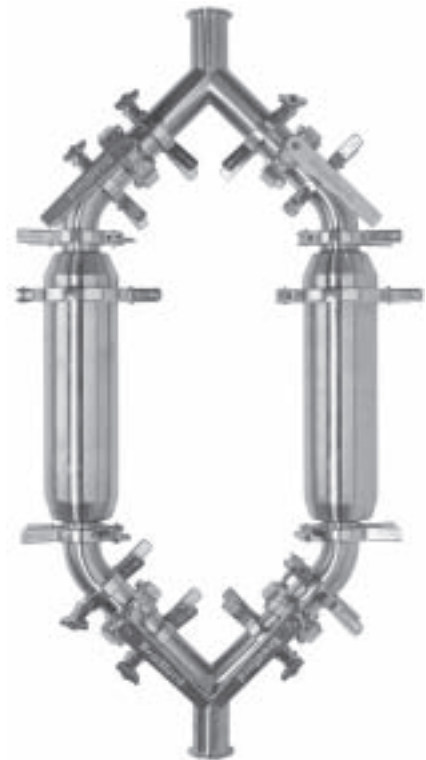
Dual Filter / Strainer Options

Use when system needs to be cleaned regularly but product flow needs to be maintained.

SIMPLE DESIGN USING 3-WAY T PORT BALL VALVES		
PART NUMBER	DESCRIPTION	QTY
BV3SVTF	3-way T port ball valve, sizes 1" to 3"	2
13MHM	heavy duty wing nut clamp, sizes 1" to 3", various styles	8
B2CMP-R	clamp 90° elbow, sizes 1" to 3"	4
40MP	clamp gaskets in various materials, sizes 1" to 3"	8



CONVENTIONAL DESIGN USING BUTTERFLY VALVES		
PART NUMBER	DESCRIPTION	QTY
B28AMP-R	Clamp true Y, 1" to 3"	2
13MHM	Heavy duty wing nut clamp, sizes 1" to 3", various styles	12
40MP	Clamp gaskets in various materials, 1" to 3"	12
B2KMP-R	Clamp 45° elbow, sizes 1" to 3"	4
B5101	Butterfly valve, various handle and seat materials, sizes 1" to 3"	4



Q