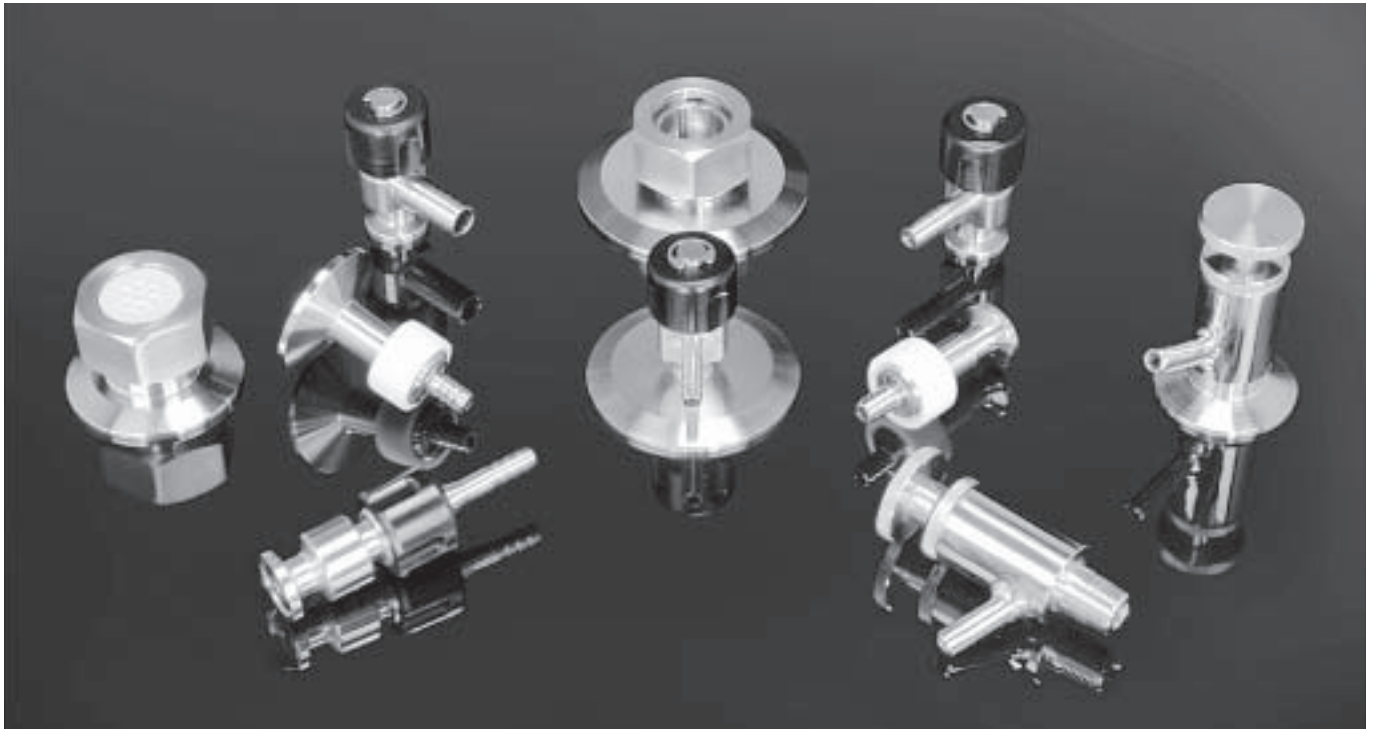


Sample Valves



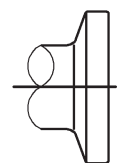
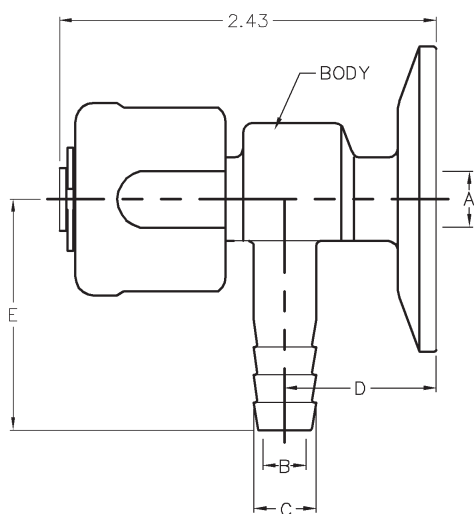
Businesses from food and beverage to pharmaceutical and cosmetics can now rely on Dixon Hygienic for their sampling needs with Bradford™ sample valves.

The Dixon Hygienic sample valve is a hygienic valve for use in stainless steel process systems. These valves are simple, rugged and above all, dependable. Bradford™ sample valves are made from stainless steel and are available in various sizes, ½" to 4" offering clamp and NPT end configurations, others also available as special order.

Dixon Hygienic offers inline and angle valves with a smooth or barbed outlet depending on your need.

Economical Bradford™ sample valves are 100% factory tested for the extra security you require. Maintenance is easy using one of Dixon Hygienic's repair kits, quickly returning the valve to service.

316L Angle Sample Valve



FRACTIONAL TRICLAMP



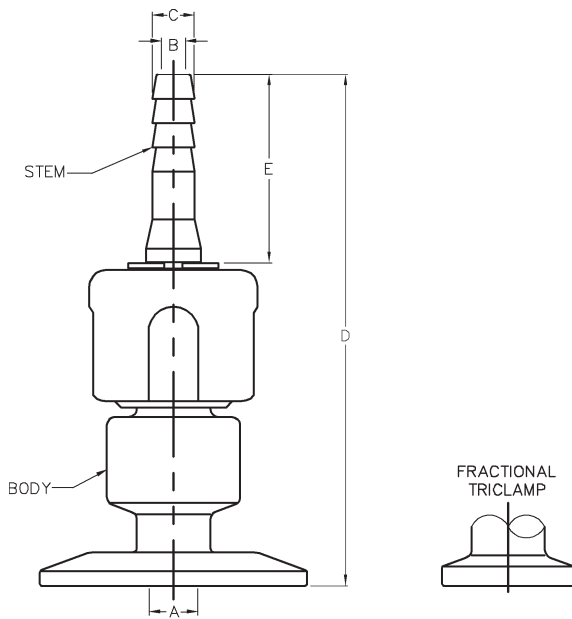
- all 316L stainless wetted part construction
- standard finish to 20 Ra ID / 32 Ra OD
- Viton® stem seal FDA approved
- fully traceable (material test reports)
- domed virgin Teflon® seat for positive closure
- tapered hygienic clamp connection prevents product back flow when installed in-line
- set screw stop prevents accidental removal of stem from valve body
- black nylon nut cover allows hand operation even with hot products
- minimal internal dead-leg area
- end connections available: clamp and butt weld
- sizes available: 1/2" thru 1 1/2"
- temperature rating: 300° @ 200 PSI

SIZE		PART NUMBER	DIMENSIONS (inches)					WEIGHT (lbs)
CLAMP	BARB		A	B	C	D	E	
1/2"	1/4"	BSVACV-R050025	0.218	0.187	0.312	0.972	1.50	0.250
1/2"	3/8"	BSVACV-R050375	0.218	0.218	0.405	0.952	1.50	0.375
1/2"	1/2"	BSVACV-R050050	0.218	0.375	0.540	0.878	1.50	0.500
1"	3/8"	BSVACV-R100375	0.218	0.218	0.405	0.985	1.50	0.500
1 1/2"	1/4"	BSVACV-R150025	0.218	0.187	0.312	0.987	1.50	0.500
1 1/2"	3/8"	BSVACV-R150375	0.218	0.218	0.405	0.985	1.50	0.500
2"	1/4"	BSVACV-R200025	0.218	0.187	0.312	0.987	1.50	0.750

REPAIR KIT FOR ANGLE SAMPLE VALVE

PART NUMBER	DESCRIPTION	MATERIAL	QTY.
BSVA-RKS	seal	Teflon®	1
	O-ring	Viton®	1

316L In-line Sample Valve



- all 316L stainless wetted part construction
- standard finish to 20 Ra ID / 32 Ra OD
- Viton® stem seal FDA approved
- fully traceable (material test reports)
- domed virgin Teflon® seat for positive closure
- tapered hygienic clamp connection prevents product back flow when installed in-line
- set screw stop prevents accidental removal of stem from valve body
- black nylon nut cover allows hand operation even with hot products
- minimal internal dead-leg area
- end connections available: clamp and butt weld
- sizes available: 1/2" and 3/4"
- temperature rating: 300°F @ 200 PSI

Note: Not all valves available from stock. * other valves available

SIZE		PART NUMBER	DIMENSIONS (inches)					WEIGHT (lbs)
CLAMP	BARB		A	B	C	D	E	
1/2"	1/4"	BSVICV-R050025	0.218	0.187	0.312	3.844	1.391	0.250
3/4"	1/4"	BSVICV-R075025	0.218	0.187	0.312	3.844	1.391	0.250

REPAIR KIT FOR IN-LINE SAMPLE VALVE

PART NUMBER	DESCRIPTION	MATERIAL	QTY.
BSVI-RKS	seal	Teflon®	1
	O-ring	Viton®	1